



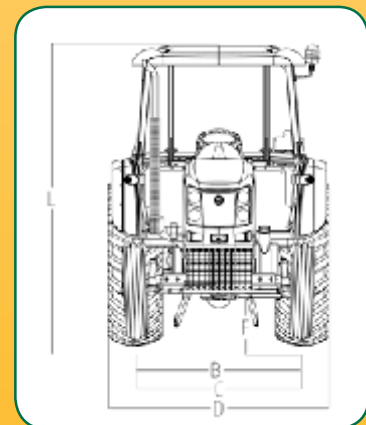
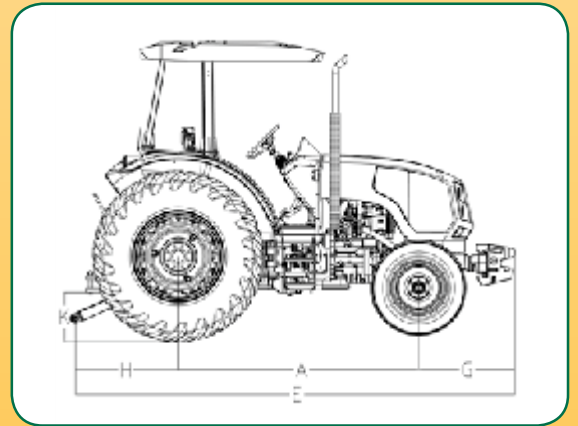
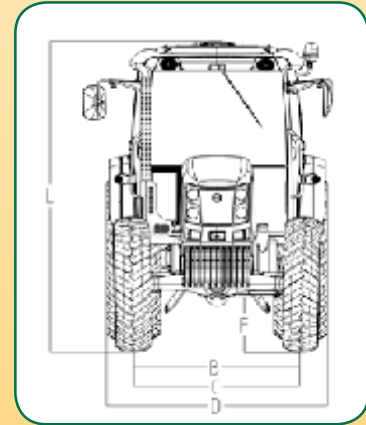
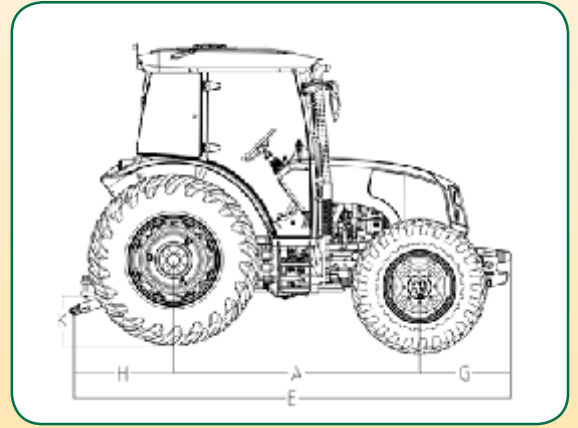
ArmaTrac[®]

852 / 854



Armed well for even the toughest job.
Anywhere on earth.

ENGINE		ArmaTrac 852	ArmaTrac 854
Trademark / Type	Perkins 1104A-44 TIER 0 / Water-cooled, direct injection diesel, 4 cylinders		
Power	61,5 kW / 83 hp @ 2200 rpm		
PTO Power	52 kW @ 2200 rpm		
Volume	4,4 lt		
Aspiration	Naturally aspirated		
Bore / Stroke	105 mm / 127 mm		
Torque	289 Nm @ 1400 rpm		
CLUTCH			
Type	Dry, dual, mechanical control, 280 mm diameter, cerametallic lining material		
TRANSMISSION			
Type	T-537 mechanical		
Shifting	1-2-3-4 synchronised; F/R, range non-synchronised		
Gears	16+8		
POWER TAKE-OFF (PTO)			
Type	Mechanical, hand-lever operated, top link sensing, independent		
PTO Speed	540-750 rpm or 540-1000 rpm (optional)		
LINKAGE and HYDRAULICS			
3-point linkage	Top link sensing, Cat.2 linkage with ball ends		
Linkage control	Mechanical, with draft, position and mixed		
Max. lift capacity @ link ends	2400 kg, 2800 kg or 3400 kg		
Max. oil flow / operating pressure	38 lt/min, 45 lt/min (optional) / 180 bar		
Remote valves	1 or 2 sets of additional valves, with hand lever control		
STEERING			
Type	Hydrostatic		
BRAKES			
Type	Mechanical, oil-cooled, 4 plate disc brakes		
Parking brake	Hand-lever operated		
Trailer brake	Compressor (Optional) or Double-circuit pneumatic system (Optional)		
WHEELS and TIRES			
Front	7,50-18	12,4-24	
Rear	18,4-30		
WEIGHTS and DIMENSIONS			
Unballasted weight	3088 kg / 3228 kg	3358 kg / 3548 kg	
A - Wheelbase	2330 mm		
B - Front track width	1500-1900 mm		
C - Rear track width	1505-1905 mm		
D - Width	1935 mm		
E - Length	4210 mm		
F - Ground clearance	417,5 mm	495 mm	
G - Distance from front to axle axis	860 mm		
H - Distance from lowerlink ends to rear axle axis	1020 mm		
K - Drawbar height	417,5 mm		
L - Maximum height	2705 mm	2706 mm	
LUX OPTIONS			
Available with cab versions	Air condition, compressor, deluxe seat, 2 sets of remote valves, 3200 kg lifting capacity, side lamps, beacon lamp, rear wiper, electrical lifting system, adjustable steering wheel, radio/CD Player		



The manufacturer, Erkunt Tractor Industry Inc. realizes continual improvement policy. Therefore, it reserves the right to modify the technical characteristics indicated above without any notice.

Erkunt Tractor Industry Inc.

Organize Sanayi Bölgesi Batı Hun Cad. No:2 Sincan 06935 Ankara - TR
 P: +90 312 267 44 88 (Pbx) F: +90 312 267 44 91
 info@armatrac.com - www.armatrac.com